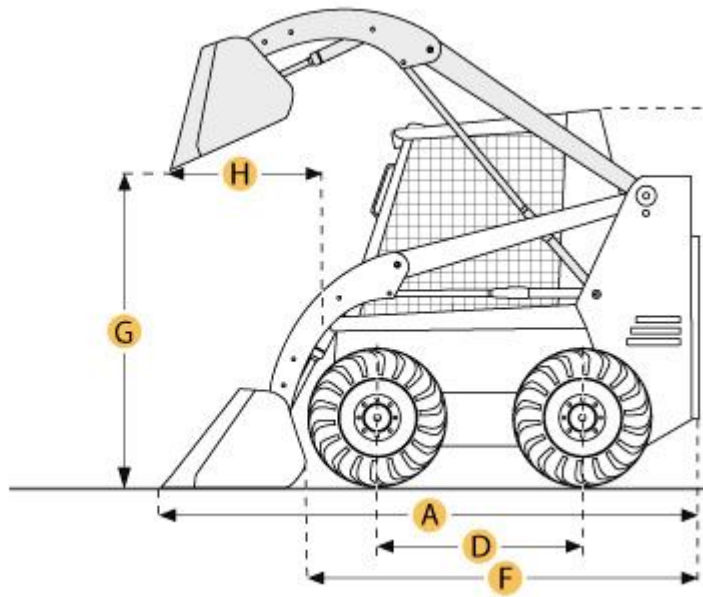


## John Deere. 317 Skid Steer Loader



### Selected Dimensions

#### Dimensions

A. Length with Bucket	11.9 ft in	3630 mm
B. Width Over Tires	6 ft in	1829 mm
C. Height to Top of Cab	6.7 ft in	2055 mm
D. Wheelbase	4 ft in	1227 mm
F. Length w/o Bucket	9.5 ft in	2908 mm
G. Clearance at Max Lift and Dump	8.3 ft in	2525 mm
H. Reach at Max Lift and Dump	34 in	863.6 mm

## Specification

### Engine

Make	John Deere	
Model	V3300-DI-T	
Gross Power	81 hp	60.4 kw
Power Measured @	2400 rpm	
Displacement	201.4 cu in	3.3 L
Number of Cylinders	4	

### Operational

Operational Weight	8448 lb	3831.9 kg
Fuel Capacity	23 gal	87 L
Operating Speed	6.9 mph	11.1 km/h
Max Speed	12 mph	19.3 km/h

Loader		
Operating Load Rating	3000 lb	1360.8 kg
Tipping Load	6111 lb	2771.9 kg
Bucket Capacity	0.6 yd <sup>3</sup>	0.46 m <sup>3</sup>
Hydraulic		
Pump Flow Capacity	20.7 gal/min	78.4 L/min
Relief Valve Pressure	3300 psi	22752.7 kPa
Dimensions		
Length with Bucket	11.9 ft in	3630 mm
Length w/o Bucket	9.5 ft in	2908 mm
Width Over Tires	6 ft in	1829 mm
Height to Top of Cab	6.7 ft in	2055 mm
Clearance at Max Lift and Dump	8.3 ft in	2525 mm
Wheelbase	4 ft in	1227 mm
Reach at Max Lift and Dump	34 in	863.6 mm
Turning Radius from Center - machine rear	84.2 in	2138.7 mm

